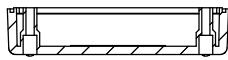


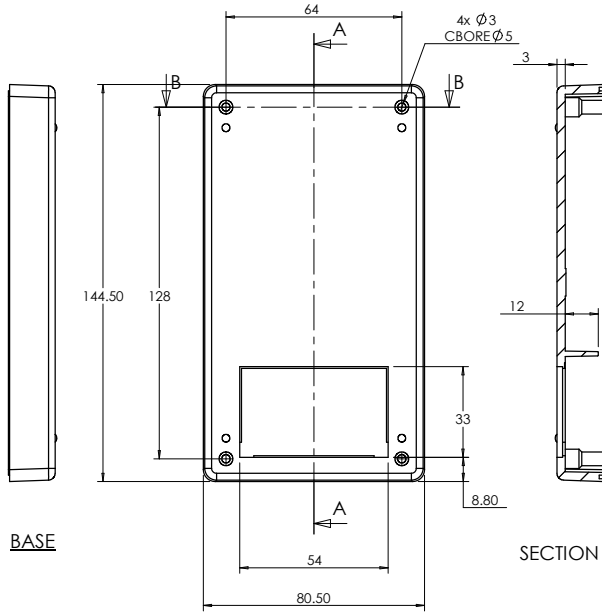
OVERALL ASSEMBLY DIMENSIONS:

EXTRENAL - 144.5 x 80.5 x 34

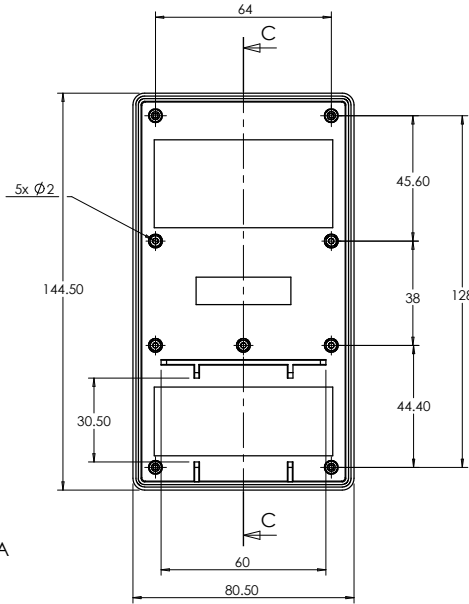
INTERNAL - 138.5 x 74 x 28



SECTION B-B



SECTION A-A



SECTION C-C

- (1) 4x UNIT ASSEMBLY SCREW
- (2) 5x INTERNAL MOUNTING SCREW

BATTERY COVER

SCREW (1)

LID

BASE

SCREW (2)

3D VIEW
1:3

BASE

LID



		UNLESS OTHERWISE SPECIFIED: DIMENSIONS ARE IN MILLIMETERS		DO NOT SCALE DRAWING		REVISION: 0				
		JAMES CARTER RD, MILDENHALL, SUFFOLK, IP28 7DE TEL: 01638 716101 FAX: 01638 716554 EMAIL: SALES@BOSS-ENCLOSURES.CO.UK WEB: WWW.BOSS-ENCLOSURES.CO.UK		FINISH: LIGHT SPARK		TITLE: ASSEMBLY DRG FOR 2910-552				
DRAWN	S.HARDINGE	SIGNED	SJH	DATE	13/10/05	MATERIAL	ABS	DWG NO.	2910-552	A4
CHK'D	-	-	-	-	-	PROJECTION:		SCALE: 1:2	SHEET 1 OF 1	